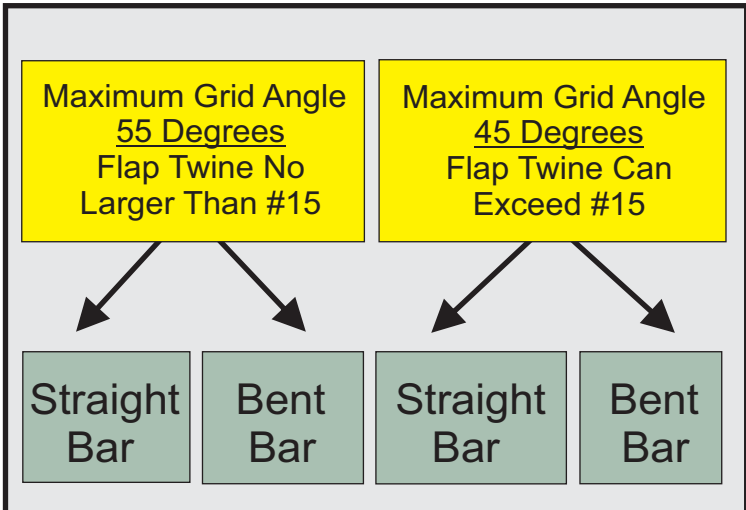


# Guide for Checking 44-Inch Single Flap TED on Skimmer Trawl Vessels 40 Ft. or Greater

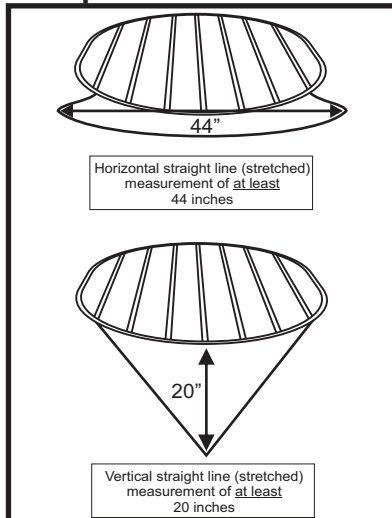
- This opening can only be used in waters landward of the COLREGS Demarcation Line\*
- All Skimmer Trawl TEDs must be **Top-Opening**.
- TED grids must be at least 32" x 32" with a maximum 3-inch bar spacing.
- If TED angle is 46-55 degrees, the escape flap twine can be no larger than #15.
- If TED angle is 45 degrees or less, the escape flap twine can exceed #15.  
 (see Allowable Configurations below)

\* COLREGS Demarcation Line refers to the International Regulations for Preventing Collisions at Sea 1972.

### Allowable Configurations



### Requirement 1

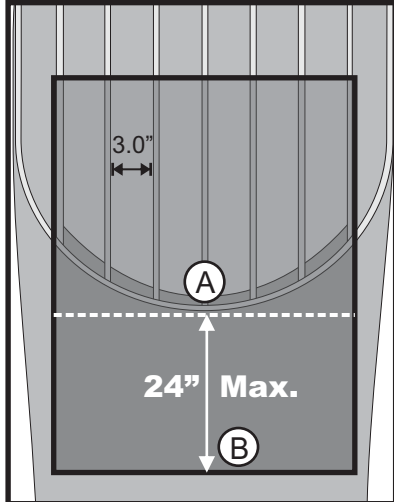


#### Minimum Escape Opening Requirements

The required escape opening must measure 44-inches when stretched horizontally and at least 20-inches when stretched vertically.

The measurements must be taken separately.

### Requirement 2



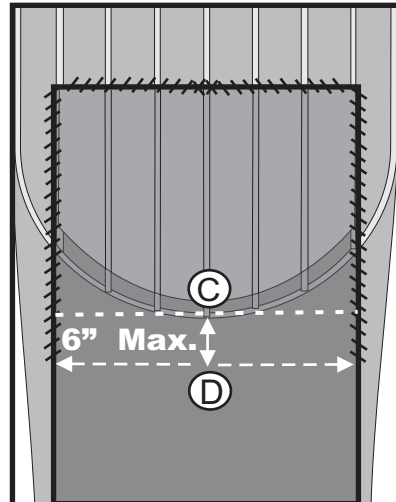
#### Maximum Flap Length and Grid Bar Spacing

Measure the distance from the posterior edge of the TED frame to the trailing edge of the flap **A to B**.

This measurement must be taken from the center of the frame and must not exceed **24-inches** as the TED is hanging (not stretched).

Grid bars may be no more than **3.0 inches** apart.

### Requirement 3

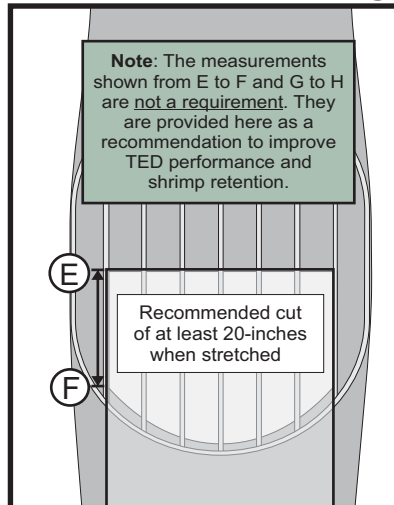


#### Maximum Attachment Down Side

Measure the distance the flap is attached beyond the posterior edge of the TED frame **C to D**.

This measurement must be taken from the center of the frame and must not exceed **6-inches** when the TED is hanging (not stretched).

### Recommended Cut Length

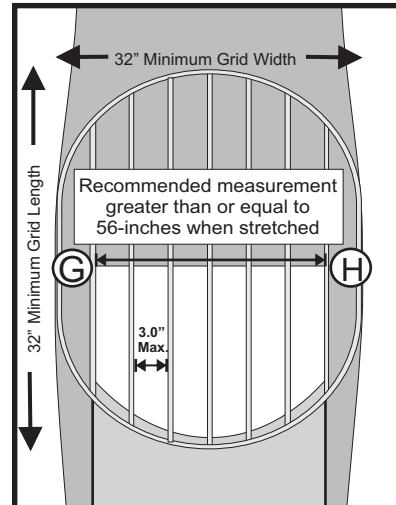


#### Forward Cut Length

Measure the distance from the TED frame forward along the side of the escape hole cut to the leading edge of the escape hole cut **E to F**.

Recommended cut of at least **20-inches** when stretched.

### Recommended Cut Width



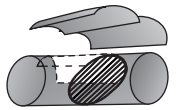
#### Leading Edge Cut

Measure the leading edge of the escape hole cut **G to H**.

Recommended stretched measurement of **56-inches** or greater.

**Note:** This measurement must also be obtained with flap attached.

This document provides instructions for measuring the 44-inch single flap escape opening for single grid hard TEDs. These instructions summarize regulations at 50 C.F.R. 223.206 (d)(2)(ii)(A)(3), 223.206 (d)(3)(i) and 223.207 (a)(4), (a)(6), (a)(7)(ii)(B), (d)(3)(ii), and (d)(3)(v). It is the responsibility of the owners and vessel operators using these instructions to insure that their TEDs meet all regulatory requirements.

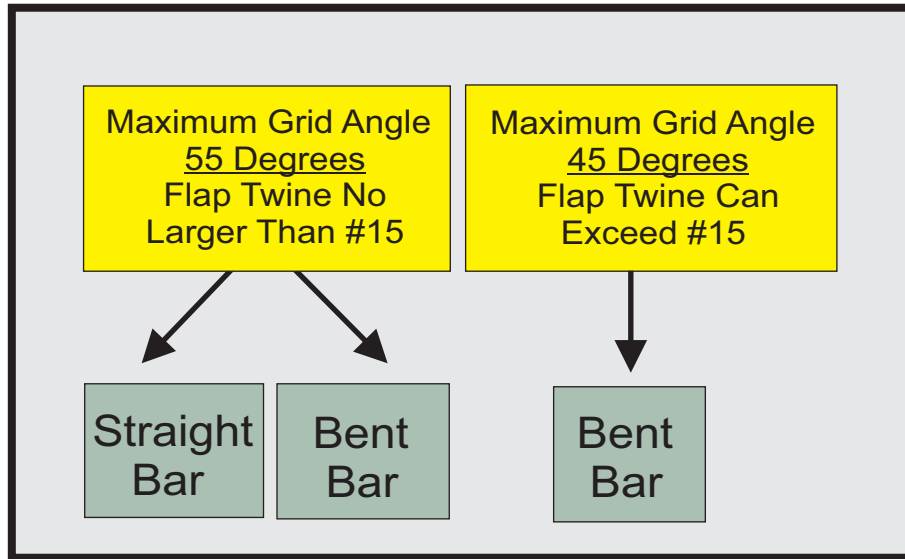


# Guide for Checking **Double-Cover Flap** TED on Skimmer Trawl Vessels 40 Ft. or Greater

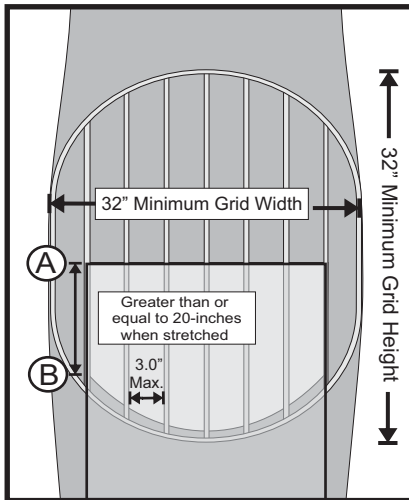
- This opening can be used Inshore or Offshore of the COLREGS Demarcation Line\*
- All Skimmer Trawl TEDs must be **Top-Opening**.
- TED grids must be at least 32" x 32" with a maximum 3-inch bar spacing.
- If TED angle is 46-55 degrees, the escape flap twine can be no larger than #15.
- If TED angle is 45 degrees or less (except for straight bar grids), the escape flap twine can exceed #15 (see allowable configurations below).

\* COLREGS Demarcation Line refers to the International Regulations for Preventing Collisions at Sea 1972.

## Allowable Configurations



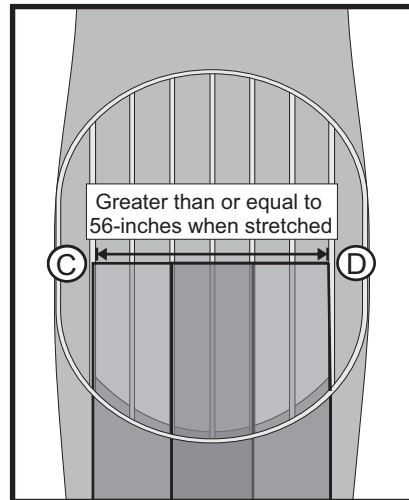
### Requirement 1



Measure the distance from the TED frame forward along the side of the escape hole cut to the leading edge of the escape hole cut **A to B**.

This measurement must be greater than or equal to **20-inches** when stretched.

### Requirement 2

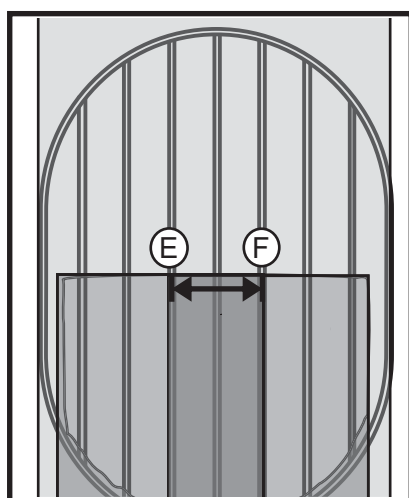


Measure the leading edge of the escape hole cut **C to D**.

This measurement must be greater than or equal to **56-inches** when stretched.

**Note:** This measurement must also be obtained with the flap attached.

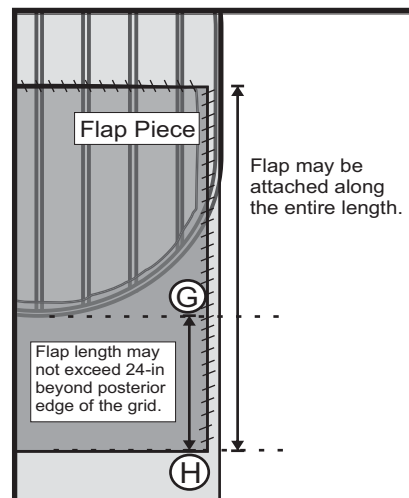
### Requirement 3



Measure the distance along the leading edge of the overlapped portions of the flap section.

The overlap from **E to F** must not exceed **15-inches** when stretched.

### Requirement 4



Measure the distance from the posterior edge of the TED frame to the trailing edge of the flap. This measurement must not exceed 24-inches when hanging (not stretched) measure **G to H** (not stretched).

This document provides instructions for measuring the double cover escape opening for single-grid hard TEDs. These instructions summarize regulations at 50 C.F.R.223.207 (a) (7) (ii) c, 223.207 (d) (2) (ii), and 223.207 (d) (3) (iii). It is the responsibility of the owners and vessel operators using these instructions to insure that their TEDs meet all regulatory requirements.